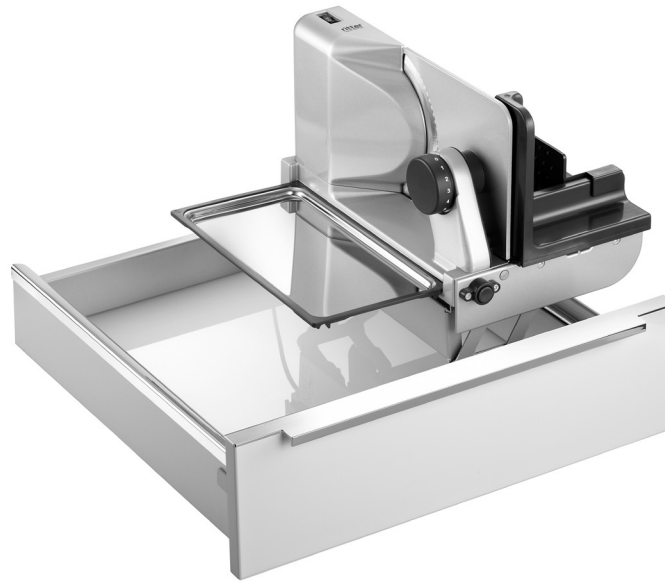


MADE IN  
GERMANY



## Built-in food slicer AES 62 SR

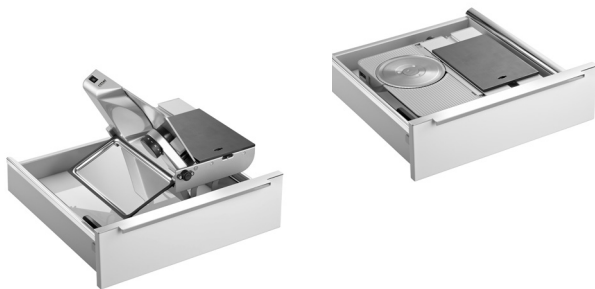
Modern and functional kitchen technology.

**for installation in standard drawers with a cabinet width of at least 45 cm.**

prerequisite: clear width drawer > 344 mm  
Distance bottom of drawer to top of worktop min. 116 mm, max. 161 mm

Foldaway and yet still stable! The most frequently installed slicing machine – the AES 62 – requires very little space. With a height of only 75 mm it can fit into any standard drawer with a cabinet of 45 cm and more.

This model is available to slice food on the left, as required (see also AES 62 SL)



### Item No. / GTIN

542.000 / 40 04822 54200 3

### Features

- food sliced from right to left
- metal construction
- serrated circular blade, 17 cm Ø
- slice thickness adjustable up to approx. 14 mm
- safety switch for intermittent and continuous operation
- automatic folding lock when slice thickness is set
- food tray made of stainless steel
- holding device / bracket for finger protection and left-over holder
- folding up fixture locks automatically
- VDE/GS, safety category 2, CE
- 230 V, 65 W, duty cycle 5 min.
- weight 4.1 kg

### Dimensions

height: 75 mm width: 342 mm depth: 365 mm (foldable)

### Optional

smooth ham- and sausage circular blade

### Warranty

5 years when purchased with a kitchen and installation by qualified personnel otherwise 2 years\*

Technical data are subject to change

\*The 2-year manufacturer's warranty applies to all devices sold within the European Union. Your legal warranty claims according to § 437 ff. BGB (German Civil Code) remain unaffected by this regulation. You can view the warranty conditions at <https://www.ritterwerk.de/warranty>.